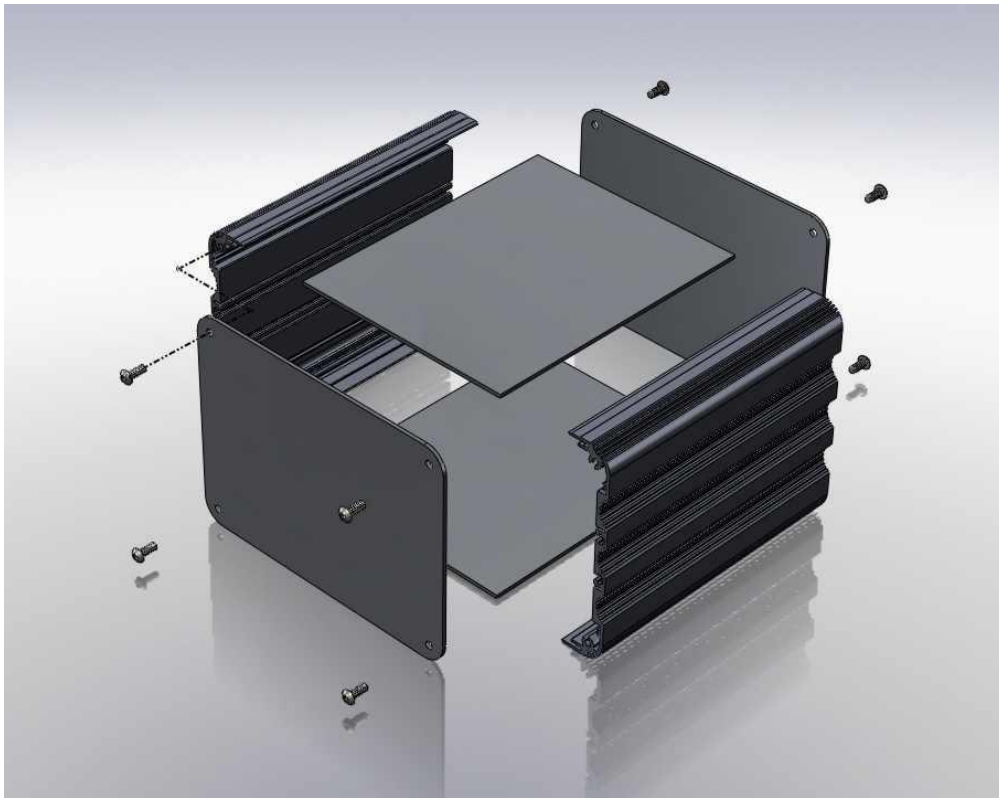


UnioBox 3

Silver or black anodized combination **extruded and sheet aluminium box** to take circuit boards of width 100mm, 128mm, 160mm and 220mm and length 80mm, 120mm, 160mm and 220mm.

The box comprises a pair of extruded aluminium sides of height 120mm which accept an aluminium top and bottom plate to form a box section. Front and rear plates are fixed into the side extrusions with self tapping screws to form the enclosure and retain the top and bottom plates. The maximum height of components on a board mounted in the bottom slot is 95mm. The enclosure could be used as a back box for a 3U 19" rack front.

The box features plenty of height relative to its width and is suitable for higher components like transformers, or will have space for pcb mounted daughter boards or additional boards mounted in the extra slots. The outside of the box features a decorative ribbed pattern which is a UK registered design.



Length Tolerance of extrusion: Nominal length +/-0.3mm e.g. U3S160 is not shorter than 159.7mm and not longer than 160.3mm.

Non-Standard Sizes: Available.

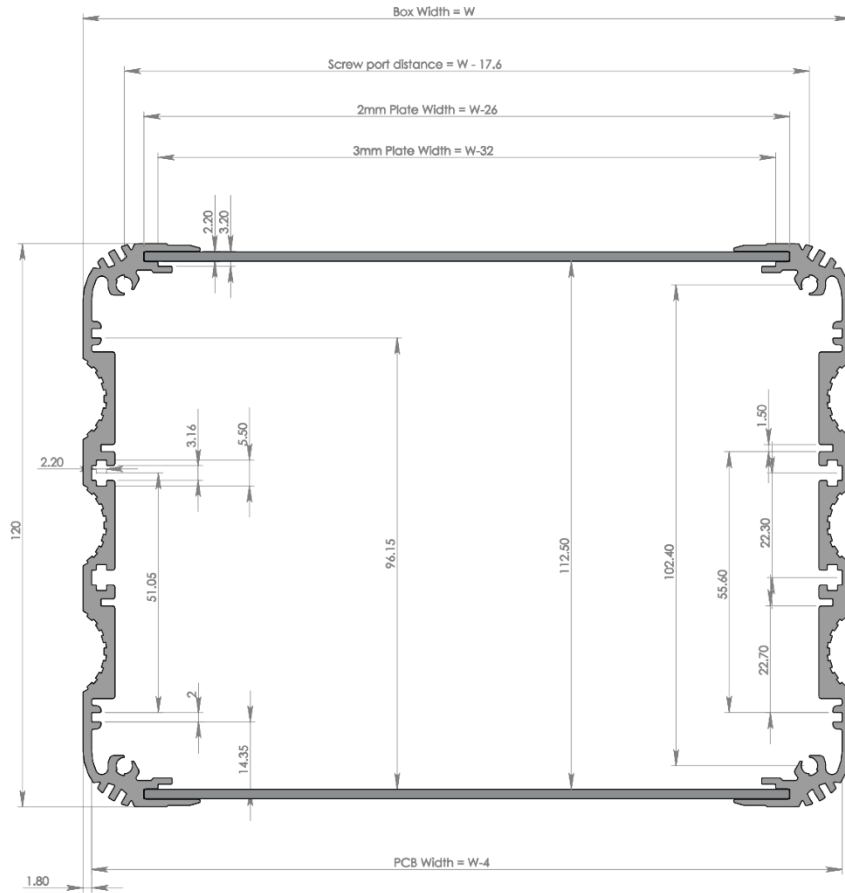
Material of extrusion: Aluminium 6063 T6 (HE9), silver anodized 5µm or black anodized 15µm to BS1615. Linear weight is 1.40 kg/m.

Material of end plate: Aluminium 5251 H22 sheet 1.5mm thick clear anodized 5µm or 2mm thick black anodized 15µm.

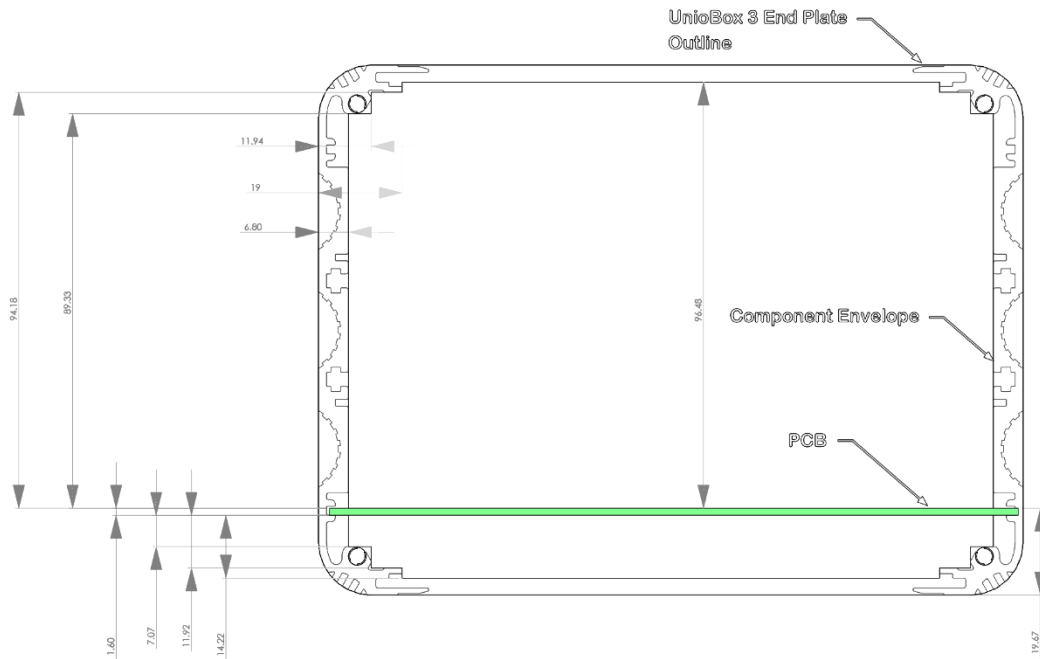
Material of top/bottom plate: Aluminium 5251 H22 sheet 2mm thick clear anodized 5µm or black anodized 15µm.

Screw ports: Nominal diameter 3.6mm to take a No.8 self tapping screw with a 4.2mm major diameter of a type normally used for plastic. The screw ports can be threaded M4 using a thread-rolling tap, but a thread cutting tap will make a weak thread. Alternatively an M4 thread-forming screw can be used to roll its own thread.

UnioBox 3 Dimensions:



UnioBox 3 Envelope Drawing



PCB size mm	Box Width	Extrusion Length	Order Code Black	Order Code Silver
100 x 80	104	80	U3B-104x080	U3S-104x080
100 x 120	104	120	U3B-104x120	U3S-104x120
100 x 160	104	160	U3B-104x160	U3S-104x160
100 x 220	104	220	U3B-104x220	U3S-104x220
128 x 80	132	80	U3B-132x080	U3S-132x080
128 x 120	132	120	U3B-132x120	U3S-132x120
128 x 160	132	160	U3B-132x160	U3S-132x160
128 x 220	132	220	U3B-132x220	U3S-132x220
160 x 80	160	80	U3B-164x080	U3S-164x080
160 x 120	160	120	U3B-164x120	U3S-164x120
160 x 160	160	160	U3B-164x160	U3S-164x160
160 x 220	160	220	U3B-164x220	U3S-164x220
220 x 80	220	80	U3B-224x080	U3S-224x080
220 x 120	220	120	U3B-224x120	U3S-224x120
220 x 160	220	160	U3B-224x160	U3S-224x160

UnioBox3 Order Codes:

Box comprises (all items silver or black):

2 x End plates, Top Plate and Bottom Plate, 2 x UnioBox extrusion, 8 x screws.
Screws – 4.2mm x 13 TORX pan head self-tapping screws type AB:

Accessories

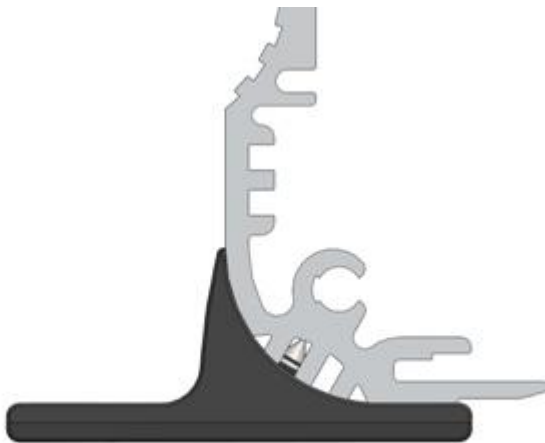
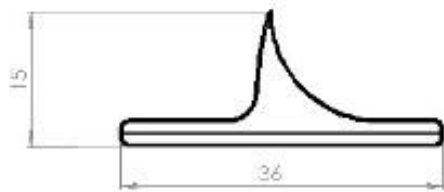
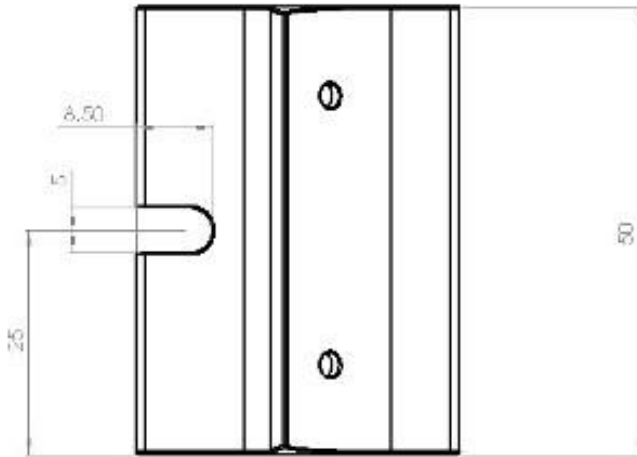
Natural aluminium carrier plates the same size as standard circuit boards to slide in the enclosures and be adapted to carry non-standard circuit boards and other fittings. These are simple rectangles of aluminium sheet 1.5mm thick for internal use (i.e. surface finish may not be perfect).

Carrier size mm	Order Code
100 x 80	CN-100080
100 x 120	CN-100120
100 x 160	CN-100160
100 x 220	CN-100220
128 x 80	CN-128080
128 x 120	CN-128120
128 x 160	CN-128160
128 x 220	CN-128220
160 x 80	CN-160080
160 x 120	CN-160120
160 x 160	CN-160160
160 x 220	CN-160220
220 x 80	CN-220080
220 x 120	CN-220120

CN-160220 can be used lengthways or sideways.

Accessories contd.

Universal Uniobox mounting lug length 50mm in black ABS plastic. **Order Code: UBL50.** Two are required (one each side) for the 80mm long enclosure and either two or four for longer enclosures as desired. The lug fits round the curve of the Uniobox extrusion and is fixed into the decorative fin feature by two concealed self-tapping screws.



TORX™ is a trademark of Textron Inc. Product and data subject to change without notice. User knows application and must determine fitness for purpose and appropriateness of advice verbal or written. See terms and conditions of sale. © Lincoln Binns Ltd. 2011.

Lincoln Binns Ltd. Oakendene Estate, Cowfold, West Sussex RH13 8AZ, UK
 Tel: +44 (0)1403 865486 Fax: +44 (0)1403 865487. Website: <http://www.lincolnbins.com>